

JIS 5K

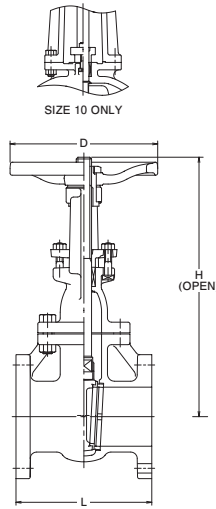
GATE VALVE

Bolted bonnet, outside screw & yoke, rising stem.

Designed to JIS B2031

Fig. 5FCM

- Bronze trim



Materials

Parts	Material	JIS Spec.
Body	Cast Iron	FC200
Bonnet	Cast Iron	FC200
Stem	Brass	C3771BD
Disc	Cast Iron	FC200
Disc seat ring	Bronze	CAC406
Body seat ring	Bronze	CAC406
Gland	Ductile Iron	FCD-5
Gland packing	Asbestos-free	
Gasket	Asbestos-free	
Gland bolt/nut	Carbon Steel	
Bonnet bolt/nut	Carbon Steel	
Yoke sleeve	Bronze	CAC406
Handwheel	Cast Iron	FC250

For JIS Valves Pressure-Temperature Ratings MPa, refer to page 2.

Dimensions

Valve Size	B	2	2½	3	4	5	6	8	10	mm
L Face-to-face	A	50	65	80	100	125	150	200	250	
H Height (OPEN)		160	170	180	200	220	240	260	300	
D Diameter		328	382	436	532	627	726	919	1134	
		160	170	170	225	225	250	280	350	

JIS 10K

GATE VALVE

Bolted bonnet, outside screw & yoke, rising stem.

Designed to JIS B2031

Fig. 10FCL

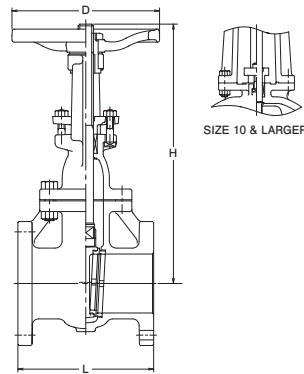
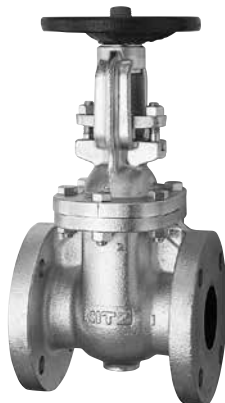
- Bronze trim

Fig. 10FCLS

- Stainless steel trim (13 Cr.)

Fig. 10FCLU

- Stainless steel trim (18-8)



Materials

Parts	Material	JIS Spec.		
		10FCL	10FCLS	10FCLU
Body	Cast Iron	FC200		
Bonnet	Cast Iron	FC200		
Stem	Brass/Stainless Steel	C3771BD	SUS403	SUS304
Disc	Cast Iron	FC200		
Disc seat ring	Bronze/Stainless Steel	CAC406	SUS403	SUS304
Body seat ring	Bronze/Stainless Steel	CAC406	SUS403	SUS304
Gland	1½ to 14 16 to 24	Ductile Iron	FCD-5	
Gland packing		Stainless Steel		
Gland packing		Asbestos-free		
Gasket		Asbestos-free		
Gland bolt/nut		Carbon Steel		
Bonnet bolt/nut		Carbon Steel		
Yoke sleeve	Bronze	CAC406		
Handwheel	1½ to 8	Cast Iron	FC250	
	10 to 24	Ductile Iron	FCD400-15	

For JIS Valves Pressure-Temperature Ratings MPa, refer to page 2.

Dimensions

Valve Size	B	1½*	2	2½	3	4	5	6	8	10	12	14*	16*	18*	20*	24*	mm
L Face-to-face	A	40	50	65	80	100	125	150	200	250	300	350	400	450	500	600	
H Height (OPEN)		165	180	190	200	230	250	270	290	330	350	381	406	432	457	508	
D Diameter		306	343	389	462	547	648	759	956	1168	1363	1560	1795	1995	2230	2640	
		160	170	170	200	250	280	300	350	400	450	500	600	600	680	760	

*JIS Mark is not applicable