

True Union Ball Valve (NEW DESIGN)

Product advantages:

1. The inner body are processed by digital lath to ensure the seal of threaded carrier.
2. Each ball be polished after rough turning and fine turning to ensure its smooth and good performance in seal.
3. The body and hole of stem should be processed by lath to assure the stability of the seal and to increase strength.
4. The tooth of products(size bigger than 2-1/2 inch) are processed and finished by lathes to ensure the union cap and the body be assembled more closely.
5. 100% pressure/hydro test before valve be sent out our factory.
6. The valve should be double blocking with union ends, locking of union nuts design ANTI-shocking.
7. Can be assembled with electric or pneumatic actuators.

Pictures

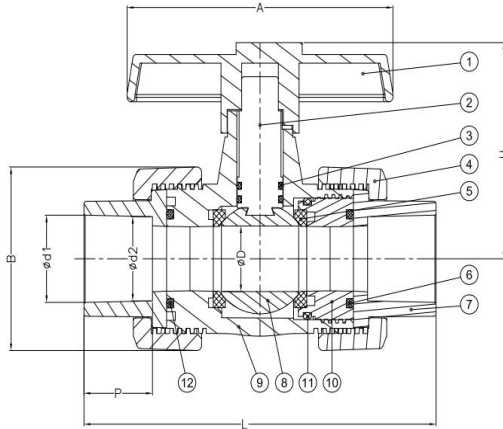


Description:

1. Material: UPVC、CPVC、PP-H
2. Size: 1/2"-4"
3. End connector: SOCKET/THREADED
4. Standard: ANSI, DIN, JIS, CNS
5. Working pressure: 150 PSI
6. Operating Temperature:
UPVC (0-45°C), CPVC & PP-H (0-95°C)
7. Color of handle: Red, blue, yellow etc.
8. Color of body: UPVC (dark gray)
CPVC (light gray/yellow)
PP-H (light yellow)

Specifications:

true union ball valve



Item	Parts	Material	PCS
1	Handle	ABS	1
2	Stem	UPVC/CPVC/PPH	1
3	Stem O-ring	EPDM/VITON	2
4	Union Nut	UPVC/CPVC/PPH	2
5	Seat	PTFE	2
6	Seat O-ring	EPDM/VITON	1
7	Connector	UPVC/CPVC/PPH	2
8	Ball	UPVC/CPVC/PPH	1
9	Body	UPVC/CPVC/PPH	1
10	Seat	UPVC/CPVC/PPH	1
11	Seat O-ring	EPDM/VITON	1
12	End O-ring	EPDM/VITON	1
13	Cap	ABS	1

	A	B	L	H	P
15(1/2")	81.5	47.7	115.8	47.5	20.9
20(3/4")	100.6	61.0	129.4	59.7	23.4
25(1")	111.0	69.8	147.2	66.5	28.0
32(1-1/4")	110.3	81.3	167.3	67.4	31.6
40(1-1/2")	125.2	93.0	185.2	86.8	34.5
50(2")	152.7	112.3	195.5	104.5	35.6

	A	B	L	H	P
65(2-1/2")	189.4	150.0	226.3	136.5	43.7
80(3")	230.0	184.0	278.0	165.0	47.5
100(4")	274.0	226.0	324.0	172.0	57.2

SIZE	D	ANSI		DIN		JIS		CNS	
		d1	d2	d1	d2	d1	d2	d1	d2
15(1/2")	15	21.54	21.23	20.30	20.10	22.40	21.73	22.40	21.90
20(3/4")	20	26.87	26.57	25.30	25.10	26.45	25.69	26.40	25.90
25(1")	25	33.65	33.27	32.30	32.10	32.55	31.70	34.50	33.90
32(1-1/4")	32	42.42	42.04	40.30	40.10	38.60	37.65	42.50	41.90
40(1-1/2")	40	48.56	48.11	50.30	50.10	48.70	47.74	48.60	47.90
50(2")	50	60.63	60.17	63.30	63.10	60.80	59.78	60.60	59.90

SIZE	D	ANSI		DIN		JIS		CNS	
		d1	d2	d1	d2	d1	d2	d1	d2
65(2-1/2")	65	73.38	72.85	75.30	75.10	76.60	75.68	76.70	75.90
80(3")	80	89.31	88.70	90.40	90.10	89.60	88.55	89.70	88.90
100(4")	100	114.76	114.10	110.40	110.10	114.70	113.60	115.00	113.80

True Union Ball Check Valve(full ball)

Product advantages:

- 1.1. It is ball design, use its weight to seal and without metal spring, must be assembled follow the allow to ensure the good seal.
2. The inner of body is stable and good for seal.
3. Seal carrier added to prevent deformation and make it better seal, that have better effect of water sealing.
4. The connection surface of end connector and seal been finished by lath and ensure they contact closely.

Pictures

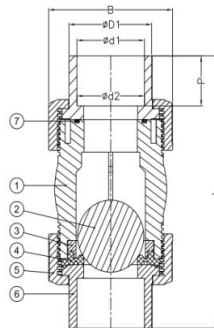


Description:

1. Mateial: UPVC、CPVC、PP-H
2. Size: 1/2"-4"
3. End connector: SOCKET/THREADED
4. Standard: ANSI, DIN, JIS, CNS
5. Working presure:150 PSI
6. Operating Temperature:
UPVC(0-45°C), CPVC& PP-H(0-95°C)
7. Colr of body: UPVC(dark gray)
CPVC(light gray/yellow)
PP-H(light yellow)



Sepcifications:



true union ball check valve

Item	Parts	Material	PCS
1	Body	UPVC/CPVC/PPH	1
2	Ball	UPVC/CPVC/PPH	1
3	Seat Carrier	UPVC/CPVC/PPH	1
4	Seat	EPDM/VITON	2
5	Union Nut	UPVC/CPVC/PPH	2
6	Connector	UPVC/CPVC/PPH	1
7	O-ring	EPDM/VITON	1

	B	L	P	D1
15(1/2")	47.7	114.0	20.7	30.0
20(3/4")	61.0	130.4	23.3	36.7
25(1")	70.0	148.0	28.2	44.0
32(1-1/4")	81.3	167.7	31.7	51.7
40(1-1/2")	93.0	189.0	34.8	62.4
50(2")	112.5	198.8	35.3	78.1

SIZE	ANSI		DIN		JIS		CNS	
	d1	d2	d1	d2	d1	d2	d1	d2
15(1/2")	21.54	21.23	20.30	20.10	22.40	21.73	22.40	21.90
20(3/4")	26.87	26.57	25.30	25.10	26.45	25.69	26.40	25.90
25(1")	33.65	33.27	32.30	32.10	32.55	31.70	34.50	33.90
32(1-1/4")	42.42	42.04	40.30	40.10	38.60	37.65	42.50	41.90
40(1-1/2")	48.56	48.11	50.30	50.10	48.70	47.74	48.60	47.90
50(2")	60.63	60.17	63.30	63.10	60.80	59.78	60.60	59.90

UNION

Product advantages:

1. The raw material have been improved by chemical modification, improve the performance of anti-pressure and anti-shock, added the anti-ultraviolet to strengthen weather-resistance and anti-aging.

2. The tooth of products(size bigger than 2-1/2 inch) are processed and finished by lathes, the cap and the body work more compact and have higher strength.

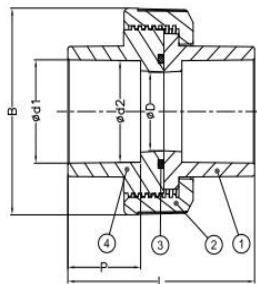
Pictures



Description:

1. Mateial: UPVC、CPVC、PP-H
2. Size: 1/2"-4"
3. End connector: SOCKET/THREADED
4. Standard: ANSI, DIN, JIS, CNS
5. Working presure:150 PSI
6. Operating Temperature:
UPVC(0-45°C), CPVC& PP-H(0-95°C)
7. Colr of body: UPVC(dark gray)
CPVC(light gray/yellow)
PP-H(light yellow)

Sepcifications:



union

Item	Parts	Material	PCS
1	End connector	UPVC/CPVC/PPH	1
2	Union Nut	UPVC/CPVC/PPH	1
3	O-ring	EPDM/VITON	1
4	Body	UPVC/CPVC/PPH	1

SIZE	L	P	B
15(1/2")	57.0	21.6	46.4
20(3/4")	64.9	25.0	60.0
25(1")	69.5	27.4	68.0
32(1-1/4")	80.0	31.0	80.0
40(1-1/2")	90.8	33.8	91.3
50(2")	99.7	36.8	110.4

SIZE	D	ANSI		DIN		JIS		CNS	
		d1	d2	d1	d2	d1	d2	d1	d2
15(1/2")	15	21.54	21.23	20.30	20.10	22.40	21.73	22.40	21.90
20(3/4")	20	26.87	26.57	25.30	25.10	26.45	25.69	26.40	25.90
25(1")	25	33.65	33.27	32.30	32.10	32.55	31.70	34.50	33.90
32(1-1/4")	32	42.42	42.04	40.30	40.10	38.60	37.65	42.50	41.90
40(1-1/2")	40	48.56	48.11	50.30	50.10	48.70	47.74	48.60	47.90
50(2")	50	60.63	60.17	63.30	63.10	60.80	59.78	60.60	59.90

One piece flange

Product advantages:

1.The raw material have been improved by chemical modification, improve the performance of anti-pressure and anti-shock, added the anti-ultraviolet to strengthen weather-resistance and anti-aging.

2.The surface of flange finished by lath , smooth surface with O-ring to ensure superior performance of seal..

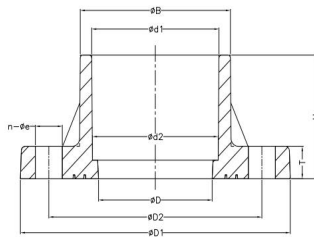


Description:

- 1.Mateial: UPVC、CPVC、PP-H
- 2.Size: 1/2"-8"
- 3.End connector: SOCKET/THREADED
- 4.Standard: ANSI, DIN, JIS, CNS
- 5.Working presure:150 PSI
- 6.Operating Temperature:
UPVC(0-45°C), CPVC& PP-H(0-95°C)
- 7.Colr of body: UPVC(dark gray)
CPVC(light gray/yellow)
PP-H(light yellow)



Sepcifications:



SIZE	D	ANSI		DIN		JIS		CNS	
		d1	d2	d1	d2	d1	d2	d1	d2
15(1/2")	15	21.54	21.23	20.30	20.10	22.40	21.73	22.40	21.90
20(3/4")	20	26.87	26.57	25.30	25.10	26.45	25.69	26.40	25.90
25(1")	25	33.65	33.27	32.30	32.10	32.55	31.70	34.50	33.90
32(1-1/4")	32	42.42	42.04	40.30	40.10	38.60	37.65	42.50	41.90
40(1-1/2")	40	48.56	48.11	50.30	50.10	48.70	47.74	48.60	47.90
50(2")	50	60.63	60.17	63.30	63.10	60.80	59.78	60.60	59.90
65(2-1/2")	65	73.38	72.85	75.30	75.10	76.60	75.68	76.70	75.90
80(3")	80	89.31	88.70	90.40	90.10	89.60	88.55	89.70	88.90
100(4")	100	114.76	114.10	110.40	110.10	114.70	113.60	115.00	113.80
150(6")	150	168.83	168.00	160.50	160.20	166.20	165.30	166.20	164.60
200(8")	150	168.83	168.00	160.50	160.20	166.20	165.30	166.20	164.60

SIZE	B	D1	H	T	D2(中心孔)			n-Øe(孔径、孔数)			螺丝规格、数量		
					ANSI	DIN	JIS	ANSI	DIN	JIS	ANSI	DIN	JIS
15(1/2")	31	94.5	34.1	14.2	60.3	65.0	70.0	16-4	14-4	15-4	W1/2-4	M12-4	M12-4
20(3/4")	35.5	98.4	41.0	15.3	70.0	75.0	75.0	16-4	14-4	15-4	W1/2-4	M12-4	M12-4
25(1")	42.3	124	43.1	14.3	79.4	85.0	90.0	16-4	14-4	19-4	W1/2-4	M12-4	M16-4
32(1-1/4")	52.3	134	45.7	16.0	88.9	100.0	100.0	16-4	18-4	19-4	W1/2-4	M16-4	M16-4
40(1-1/2")	62.0	139.6	59.0	15.2	98.4	110.0	105.0	16-4	18-4	19-4	W1/2-4	M16-4	M16-4
50(2")	75.0	155	66.4	17.4	120.7	125.0	120.0	19-4	18-4	19-4	W1/2-4	M16-4	M16-4
65(2-1/2")	90.5	174	66.5	20.0	139.5	145.0	140.0	19-4	18-4	19-4	W5/8-4	M16-4	M16-4
80(3")	105.6	189	77.1	20.0	152.4	160.0	150.0	19-4	18-8	19-8	W5/8-4	M16-8	M16-8
100(4")	124.0	214	75.2	16.0	190.5	180.0	175.0	19-8	18-8	19-8	W5/8-8	M16-8	M16-8
150(6")	175.0	278	113.6	23.4	241.5	240.0	240.0	22-8	18-8	23-8	W3/4-8	M20-8	M20-8
200(8")	221.0	333	120.0	24.0	298.5	295.0	290.0	22-8	23-8	23-12	W3/4-8	M20-12	M20-12

Butterfly valve

Product advantages:

1. PP-H Disc, good performance in temperature resistance. Both axons side of the disc have been processed by CNC lath to ensure the medium is not contact directly with stem.

2. The diameter of body holes and the surface are highly finishing by lath, and make it closer cooperate with seat and the little tension of the Close/Open.

3. The hole for assembling the body and stem is processed by boring machine which to assure the stability of the seal.

4. All of the metal parts are made of SUS304 to anti-rust and increase the long life.

5. The handle made of ABS engineering plastic assure it is not easy to break, it is detachable and convenient to assemble.

6. Can be assembled with electric or pneumatic actuators.

Pictures



Description:

1. Mateial: UPVC、CPVC、PP-H

2. Size: 2"-8"

3. End connector: SOCKET/THREADED

4. Standard: ANSI, DIN, JIS, CNS

5. Working presure:150 PSI

6. Operating Temperature:

UPVC(0-45°C), CPVC& PP-H(0-95°C)

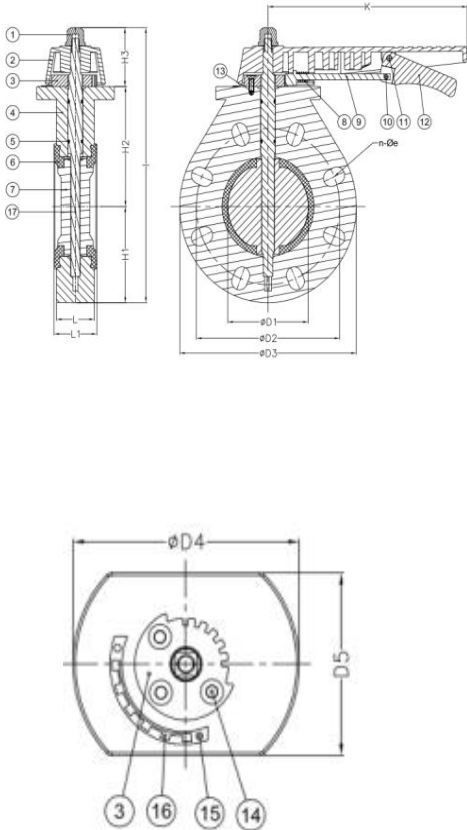
7. Colr of body: UPVC(dark gray)

CPVC(light gray/yellow)

PP-H(light yellow)

Specifications:

butterfly valve



Item	Parts	Material	PCS
1	Stem bolt	UPVC BRASS	1
2	Handle	ABS	1
3	Teeth Plate	UPVC/CPVC/PPH	1
4	Body	UPVC/CPVC/PPH	1
5	Stem O-ring	EPDM/VITON	2
6	Seat	EPDM/VITON	1
7	Disc	UPVC/CPVC/PPH	1
8	Spring	SUS304	1
9	Lever	SUS304	1
10	Lever pin	SUS304	1
11	Lever pin	SUS304	1
12	Lever	ABS	1
13	Bolt	SUS304	3
14	Teeth plate bolt	SUS304	3
15	Indicator bolt	SUS304	2
16	Indicator	SUS304	1
17	Stem	SUS304	1

	D1	D2	D3	D4	D5	L	L1	H1	H2	H3	n	e	I
50(2")	55.0	121.7	163.4	104.5	92.5	36.0	44.0	81.7	105.4	61.9	4	19.0	249
65(2-1/2")	69.0	136.0	184.0	128.3	95.7	40.3	49.3	92.0	115.0	60.0	4	19.0	267
80(3")	78.0	154.0	195.0	127.4	95.1	40.1	49.6	97.5	123.0	59.5	8	19.0	280
100(4")	99.5	181.0	223.0	132.3	98.6	48.0	53.3	111.5	139.0	64.5	8	19.0	315
125(5")	128	211.0	252.0	167.5	99.5	51.0	61.2	126.0	156.0	86.0	8	23.5	368
150(6")	150	239.0	284.0	168.0	100.6	50.8	56.0	142.0	175.5	86.5	8	24.0	404
200(8")	200	295	344.0	191.0	110.0	61.0	64.0	172.0	212.0	86.0	8	24.0	470

Super compact ball valve

Product advantages:

1. Products finished by machining, assembly by threaded end connector, anti-high pressure and have more strength.

2. Valve body assemble with single connector, it is more safe, and two O-rings in stem ensure good seal.

3. The ball and body are not contact directly and no friction, low torque, the valve won't get tight after long-use.

4. The handle made of ABS engineering plastic to ensure that the handle is not easy to break, it is detachable and convenient to maintain.

5. The raw material have been improved by chemical modification, improve the performance of anti-pressure and anti-shock, added the anti-ultraviolet to strengthen weather-resistance and anti-aging.

6. 100% pressure test before valve be sent out our factory..

Description:

1. Mateial: UPVC、CPVC、PP-H

2. Size: 1/2"-6"

3. End connector: SOCKET/THREADED

4. Standard: ANSI, DIN, JIS, CNS

5. Working presure:150 PSI

6. Operating Temperature:

UPVC(0-45°C), CPVC& PP-H(0-95°C)

7. Colr of body: UPVC(dark gray)

CPVC(light gray/yellow)

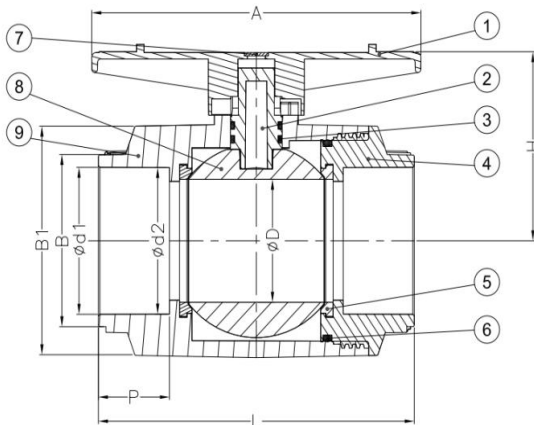
PP-H(light yellow)

Pictures



Specifications:

super compact ball valve



Item	Parts	Material	PCS
1	Handle	ABS	1
2	Stem	UPVC/CPVC/PPH	1
3	Stem O-ring	EPDM/VITON	1
4	Union Nut	UPVC/CPVC/PPH	1
5	Seat	TPV/PTFE	2
6	Nut O-ring	EPDM/VITON	1
7	Cap	ABS	1
8	Ball	UPVC/CPVC/PPH	1
9	Body	UPVC/CPVC/PPH	1

SIZE	D	ANSI		DIN		JIS		CNS	
		d1	d2	d1	d2	d1	d2	d1	d2
15(1/2")	15	21.54	21.23	20.30	20.10	22.40	21.73	22.40	21.90
20(3/4")	20	26.87	26.57	25.30	25.10	26.45	25.69	26.40	25.90
25(1")	25	33.65	33.27	32.30	32.10	32.55	31.70	34.50	33.90
32(1-1/4")	32	42.42	42.04	40.30	40.10	38.60	37.65	42.50	41.90
40(1-1/2")	40	48.56	48.11	50.30	50.10	48.70	47.74	48.60	47.90
50(2")	50	60.63	60.17	63.30	63.10	60.80	59.78	60.60	59.90

SIZE	D	ANSI		DIN		JIS		CNS	
		d1	d2	d1	d2	d1	d2	d1	d2
65(2-1/2")	65	73.38	72.85	75.30	75.10	76.60	75.68	76.70	75.90
80(3")	80	89.31	88.70	90.40	90.10	89.60	88.55	89.70	88.90
100(4")	100	114.76	114.10	110.40	110.10	114.70	113.60	115.00	113.80
150(6")	150	168.83	168.00	160.50	160.20	166.20	165.30	166.20	164.60

	A	B	B1	L	H	P
15(1/2")	85.0	29.0	41.8	85.4	45.5	24.2
20(3/4")	89.7	35.6	50.0	93.2	50.2	24.8
25(1")	105.9	42.6	56.8	107.3	58.8	30.5
32(1-1/4")	115.6	52.6	67.6	116.9	71.0	30.3
40(1-1/2")	128.0	60.8	79.4	128.2	78.2	33.2
50(2")	139.2	74.3	86.4	147.2	91.5	37.4

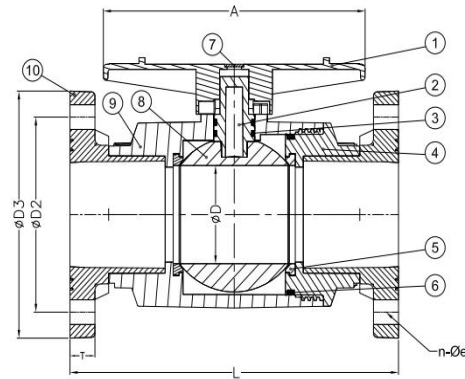
	A	B	B1	L	H	P
65(2-1/2")	204.7	93.1	122.0	206.6	127.0	55.3
80(3")	204.7	105.5	143.7	207.4	136.9	47.2
100(4")	248.3	135.0	177.7	249.5	162.5	58.1
150(6")	248.3	188.0	232.0	342.0	184.5	88.3

Strong union ball valve

Product advantages:

1. Products finished by machining, assembly by threaded end connector, anti-high pressure and have more strength.
2. Valve body assemble with single connector, it is more safe, and two O-rings in stem ensure good seal.
3. The ball and body are not contact directly and no friction, low torque, the valve won't get tight after long-use.
4. The handle made of ABS engineering plastic to ensure that the handle is not easy to break, it is detachable and convenient to maintain.
5. The raw material have been improved by chemical modification, improve the performance of anti-pressure and anti-shock, added the anti-ultraviolet to strengthen weather-resistance and anti-aging.
6. 100% pressure test before valve be sent out our factory..

Pictures



strong union ball valve

Description:

1. Material: UPVC、CPVC、PP-H
2. Size: 1/2"-6"
3. End connector: SOCKET/THREADED
4. Standard: ANSI, DIN, JIS, CNS
5. Working pressure: 150 PSI
6. Operating Temperature:
UPVC (0-45°C), CPVC & PP-H (0-95°C)
7. Color of body: UPVC (dark gray)
CPVC (light gray/yellow)
PP-H (light yellow)

Item	Parts	Material	PCS
1	Handle	ABS	1
2	Stem	UPVC/CPVC/PPH	1
3	Stem O-ring	EPDM/VITON	1
4	Union Nut	UPVC/CPVC/PPH	1
5	Seat	TPV/PTFE	2
6	Nut O-ring	EPDM/VITON	1
7	Cap	ABS	1
8	Ball	UPVC/CPVC/PPH	1
9	Body	UPVC/CPVC/PPH	1

Compact ball valve

Product advantages:

1. The raw material have been improved by chemical modification, improve the performance of anti-pressure and anti-shock, added the anti-ultraviolet to strengthen weather-resistance and anti-aging.

2. Use food grade PP material to make ball , assure the health of drink water , take care of your heath.

3. Stem with two piece O-RING to avoid leak, ball with smooth surface, easy turn Close/Open.

4. The seat material is TPV, the o-ring is made of EPDM, assure the long life of valves.

5. The handle made of ABS engineering plastic, ensure that the handle is not easy to break.

6. 100% pressure test.

Description:

1. Mateial: UPVC、CPVC、PP-H

2. Size: 1/2"-4"

3. End connector: SOCKET/THREADED

4. Standard: ANSI, DIN, JIS, CNS

5. Working presure:150 PSI

6. Operating Temperature:

UPVC(0-45°C), CPVC& PP-H(0-95°C)

7. Colr of body: UPVC(dark gray)

CPVC(light gray/yellow)

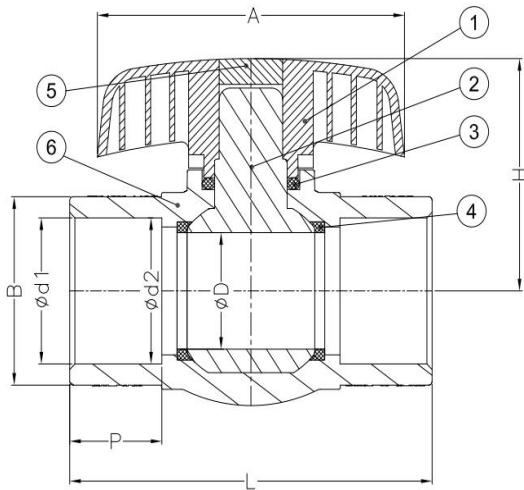
PP-H(light yellow)

Pictures



SANWIN[®] XIAMEN SHIEYU PLASTIC CO.,LTD

Specifications:



compact ball valve

Item	Parts	Material	PCS
1	Handle	ABS	1
2	Ball	UPVC/CPVC/PPH	1
3	O-ring	EPDM/VITON	1
4	Seat	TPV	1
5	Cap	ABS	2
6	Body	UPVC/CPVC/PPH	1

SIZE	D	ANSI		DIN		JIS		CNS	
		d1	d2	d1	d2	d1	d2	d1	d2
15(1/2")	15	21.54	21.23	20.30	20.10	22.40	21.73	22.40	21.90
20(3/4")	20	26.87	26.57	25.30	25.10	26.45	25.69	26.40	25.90
25(1")	25	33.65	33.27	32.30	32.10	32.55	31.70	34.50	33.90
32(1-1/4")	32	42.42	42.04	40.30	40.10	38.60	37.65	42.50	41.90
40(1-1/2")	40	48.56	48.11	50.30	50.10	48.70	47.74	48.60	47.90
50(2")	50	60.63	60.17	63.30	63.10	60.80	59.78	60.60	59.90

SIZE	D	ANSI		DIN		JIS		CNS	
		d1	d2	d1	d2	d1	d2	d1	d2
65(2-1/2")	65	73.38	72.85	75.30	75.10	76.60	75.68	76.70	75.90
80(3")	80	89.31	88.70	90.40	90.10	89.60	88.55	89.70	88.90
100(4")	100	114.76	114.10	110.40	110.10	114.70	113.60	115.00	113.80

	A	B	L	H	P
15(1/2")	69.7	29.2	74.0	45.0	18.5
20(3/4")	77.3	34.8	79.5	55.5	19.0
25(1")	89.0	43.5	93.0	57.0	22.0
32(1-1/4")	100.0	50.8	105.7	61.4	27.5
40(1-1/2")	110.5	61.3	123.6	72.5	31.8
50(2")	139.0	76.7	148.6	86.2	37.0

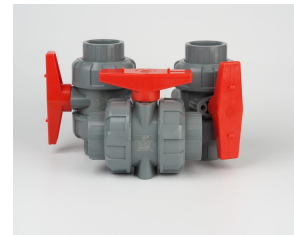
	A	B	L	H	P
65(2-1/2")	204.7	91.3	182	110.5	44.5
80(3")	204.7	109.0	203	122.4	47.7
100(4")	248.3	132.6	250	151.3	60.7

True union ball valve(CLASSIC DESIGN)

Product advantages:

- 1.The inner body are processed by digital lath to ensure the seal of threaded carrier.
- 2.Each ball be polished after rough turning and fine turning to ensure its smooth and good performance in seal.
- 3.The body and hole of stem should be processed by lath to assure the stability of the seal and to increase strength.
- 4.The tooth of products(size bigger than 2-1/2 inch) are processed and finished by lathes to ensure the union cap and the body be assembled more closely.
- 5.100% pressure/hydro test before valve be sent out our factory.
- 6.Can be assembled with flanges,electric or pneumatic actuators.

Pictures



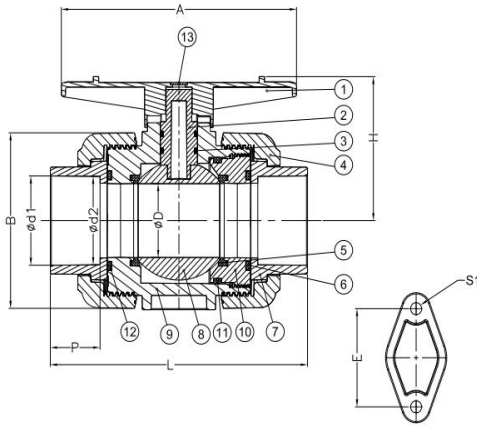
Description:

- 1.Mateial: UPVC、CPVC、PP-H,clear PVC
- 2.Size: 1/2"-4"
- 3.End connector: SOCKET/THREADED
- 4.Standard: ANSI, DIN, JIS, CNS
- 5.Working presure:150 PSI
- 6.Operating Temperature:
UPVC(0-45°C), CPVC& PP-H(0-95°C)
- 7.Color of handle: Red,blue,yellow etc.
- 8.Colr of body: UPVC(dark gray)
CPVC(light gray/yellow)
PP-H(light yellow)



Specifications:

true union ball valve



Item	Parts	Material	PCS
1	Handle	ABS	1
2	Stem	UPVC/CPVC/PPH	1
3	Stem O-ring	EPDM/VITON	2
4	Union Nut	UPVC/CPVC/PPH	2
5	Seat	PTFE	2
6	Seat O-ring	EPDM/VITON	1
7	Connector	UPVC/CPVC/PPH	2
8	Ball	UPVC/CPVC/PPH	1
9	Body	UPVC/CPVC/PPH	1
10	Seat	UPVC/CPVC/PPH	1
11	Seat O-ring	EPDM/VITON	1
12	End O-ring	EPDM/VITON	1
13	Cap	ABS	1

	A	B	L	H	P	E	S1
15(1/2")	85.3	54.2	106.0	49.8	21.8	31.2	5.2
20(3/4")	89.8	63.1	115.0	55.0	23.7	33.2	5.0
25(1")	105.8	73.7	126.5	64.4	25.5	40.3	5.3
32(1-1/4")	116.0	84.5	142.7	75.2	29.3	52.0	6.8
40(1-1/2")	128.0	97.7	156.5	88.3	32.6	52.0	7.2
50(2")	139.6	117.5	172.0	104.3	35.7	71.0	7.2

	A	B	L	H	P	C	E	S1
65(2-1/2")	205	149.5	240	146.0	45.7	45.4	84.5	8.0
80(3")	205	168.6	266	152.3	49.7	45.0	84.2	8.6
100(4")	248	210.0	316	181.0	59.5	49.0	120.7	10.0

SIZE	D	ANSI		DIN		JIS		CNS	
		d1	d2	d1	d2	d1	d2	d1	d2
15(1/2")	15	21.54	21.23	20.30	20.10	22.40	21.73	22.40	21.90
20(3/4")	20	26.87	26.57	25.30	25.10	26.45	25.69	26.40	25.90
25(1")	25	33.65	33.27	32.30	32.10	32.55	31.70	34.50	33.90
32(1-1/4")	32	42.42	42.04	40.30	40.10	38.60	37.65	42.50	41.90
40(1-1/2")	40	48.56	48.11	50.30	50.10	48.70	47.74	48.60	47.90
50(2")	50	60.63	60.17	63.30	63.10	60.80	59.78	60.60	59.90

SIZE	D	ANSI		DIN		JIS		CNS	
		d1	d2	d1	d2	d1	d2	d1	d2
65(2-1/2")	65	73.38	72.85	75.30	75.10	76.60	75.68	76.70	75.90
80(3")	80	89.31	88.70	90.40	90.10	89.60	88.55	89.70	88.90
100(4")	100	114.76	114.10	110.40	110.10	114.70	113.60	115.00	113.80

Union check valve(half ball)

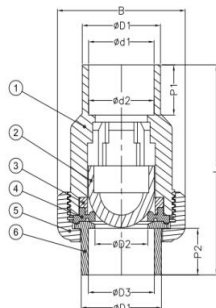
Product advantages:

- 1.DFP ball check valve includes U type design, without spring design which have good performance in seal
- 2.Seal carrier added to protect the O-ring and can have better stability and seal.
- 3.The surface of end connector and seal have been machined to ensure they cooperate closely.
- 4.Flange type valves should be easy assembled and increase strength.

Description:

- 1.Mateial: UPVC、CPVC、PP-H,clear PVC
- 2.Size: 1/2"-4"
- 3.End connector: SOCKET/THREADED
- 4.Standard: ANSI, DIN, JIS, CNS
- 5.Working presure:150 PSI
- 6.Operating Temperature:
UPVC(0-45°C), CPVC& PP-H(0-95°C)
- 7.Color of handle: Red, blue, yellow etc.
- 8.Colr of body: UPVC(dark gray)
CPVC(light gray/yellow)
PP-H(light yellow)

Sepcifications:



	D	B	L	P1	P2
15(1/2")	15.0	54.2	87.6	22.2	21.8
20(3/4")	20.0	63.2	103.8	25.7	23.8
25(1")	25.0	73.8	121.9	27.5	25.4
32(1-1/4")	32.0	84.6	136.4	31.8	29.3
40(1-1/2")	40.0	97.8	147.3	35.0	32.7
50(2")	50.0	117.3	166.6	38.0	35.6
65(2-1/2")	65.0	150.2	245.0	65.0	47.0
80(3")	80.0	169.0	270.0	70.0	50.0
100(4")	100.0	211.3	301.0	70.0	60.0

Pictures



Single union check valve

Item	Parts	Material	PCS
1	Body	UPVC/CPVC/PPH	1
2	Ball	UPVC/CPVC/PPH	1
3	Seat Carrier	UPVC/CPVC/PPH	1
4	Seal	EPDM/VITON	1
5	Union Nut	UPVC/CPVC/PPH	1
6	End connector	UPVC/CPVC/PPH	1

SIZE	ANSI		DIN		JIS		CNS	
	d1	d2	d1	d2	d1	d2	d1	d2
15(1/2")	21.54	21.23	20.30	20.10	22.40	21.73	22.40	21.90
20(3/4")	26.87	26.57	25.30	25.10	26.45	25.69	26.40	25.90
25(1")	33.65	33.27	32.30	32.10	32.55	31.70	34.50	33.90
32(1-1/4")	42.42	42.04	40.30	40.10	38.60	37.65	42.50	41.90
40(1-1/2")	48.56	48.11	50.30	50.10	48.70	47.74	48.60	47.90
50(2")	60.63	60.17	63.30	63.10	60.80	59.78	60.60	59.90
65(2-1/2")	73.38	72.85	75.30	75.10	76.60	75.68	76.70	75.90
80(3")	89.31	88.70	90.40	90.10	89.60	88.55	89.70	88.90
100(4")	114.76	114.10	110.40	110.10	114.70	113.60	115.00	113.80

Foot valve(half ball)

Product advantages:

- 1.DFP ball check valve includes U type design, without spring design which have good performance in seal
- 2.Seal carrier added to protect the O-ring and can have better stability and seal.
- 3.The surface of end connector and seal have been machined to ensure they cooperate closely.
- 4.Flange type valves should be easy assembled and increase strength.

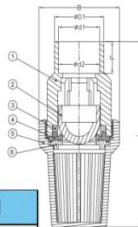
Pictures



Description:

- 1.Mateial: UPVC、CPVC、PP-H,clear PVC
- 2.Size: 1/2"-4"
- 3.End connector: SOCKET/THREADED
- 4.Standard: ANSI, DIN, JIS, CNS
- 5.Working presure:150 PSI
- 6.Operating Temperature:
UPVC(0-45°C), CPVC& PP-H(0-95°C)
- 7.Color of handle: Red,blue,yellow etc.
- 8.Colr of body: UPVC(dark gray)
CPVC(light gray/yellow)
PP-H(light yellow)

Sepcifications:



	B	L	P	D1
15(1/2")				
20(3/4")	63.2	137.4	25.6	35.1
25(1")	73.5	153.5	27.6	43.1
32(1-1/4")	84.8	182.2	31.7	53.0
40(1-1/2")	97.8	204.8	35.0	60.0
50(2")	117.4	240.3	38.0	75.2
65(2-1/2")	150.0	316.0	55.0	92.0
80(3")	175.0	352.0	60.0	110.0
100(4")	210.0	425.0	70.0	132.0

foot valve

Item	Parts	Material	PCS
1	Body	UPVC/CPVC/PPH	1
2	Ball	UPVC/CPVC/PPH	1
3	Seat Carrier	UPVC/CPVC/PPH	1
4	Seal	EPDM/VITON	1
5	Filter	UPVC/CPVC/PPH	1
6	End connector	UPVC/CPVC/PPH	1

SIZE	ANSI		DIN		JIS		CNS	
	d1	d2	d1	d2	d1	d2	d1	d2
15(1/2")	21.54	21.23	20.30	20.10	22.40	21.73	22.40	21.90
20(3/4")	26.87	26.57	25.30	25.10	26.45	25.69	26.40	25.90
25(1")	33.65	33.27	32.30	32.10	32.55	31.70	34.50	33.90
32(1-1/4")	42.42	42.04	40.30	40.10	38.60	37.65	42.50	41.90
40(1-1/2")	48.56	48.11	50.30	50.10	48.70	47.74	48.60	47.90
50(2")	60.63	60.17	63.30	63.10	60.80	59.78	60.60	59.90
65(2-1/2")	73.38	72.85	75.30	75.10	76.60	75.68	76.70	75.90
80(3")	89.31	88.70	90.40	90.10	89.60	88.55	89.70	88.90
100(4")	114.76	114.10	110.40	110.10	114.70	113.60	115.00	113.80

Union

Product advantages:

- 1.The raw material have been improved by chemical modification, improve the performance of anti-pressure and anti-shock, added the anti-ultraviolet to strengthen weather-resistance and anti-aging.
- 2.The tooth of products(size bigger than 2-1/2 inch) are processed and finished by lathes, the cap and the body work more compact and have higher strength.

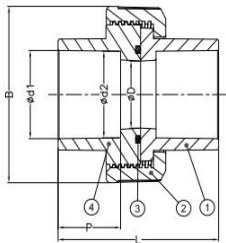
Pictures



Description:

- 1.Mateial: UPVC、CPVC、PP-H,clear PVC
- 2.Size: 1/2"-4"
- 3.End connector: SOCKET/THREADED
- 4.Standard: ANSI, DIN, JIS, CNS
- 5.Working presure:150 PSI
- 6.Operating Temperature:
UPVC(0-45°C), CPVC& PP-H(0-95°C)
- 7.Color of handle: Red,blue,yellow etc.
- 8.Colr of body: UPVC(dark gray)
CPVC(light gray/yellow)
PP-H(light yellow)

Sepcifications:



	SIZE	L	P	B
15(1/2")	20	56.3	21.5	54.0
20(3/4")	25	60.7	23.6	63.2
25(1")	32	65.6	25.4	73.8
32(1-1/4")	40	75.2	29.3	84.6
40(1-1/2")	50	83.5	32.8	98.2
50(2")	63	90.9	35.6	117.3
65(2-1/2")	76	109.8	46.0	149.5
80(3")	90	125.6	50.0	168.5
100(4")	111	155.5	59.7	210.5

union

Item	Parts	Material	PCS
1	End connector	UPVC/CPVC/PPH	1
2	Union Nut	UPVC/CPVC/PPH	1
3	O-ring	UPVC/CPVC/PPH	1
4	Body	EPDM/VITON	1

SIZE	D	ANSI		DIN		JIS		CNS	
		d1	d2	d1	d2	d1	d2	d1	d2
15(1/2")	15	21.54	21.23	20.30	20.10	22.40	21.73	22.40	21.90
20(3/4")	20	26.87	26.57	25.30	25.10	26.45	25.69	26.40	25.90
25(1")	25	33.65	33.27	32.30	32.10	32.55	31.70	34.50	33.90
32(1-1/4")	32	42.42	42.04	40.30	40.10	38.60	37.65	42.50	41.90
40(1-1/2")	40	48.56	48.11	50.30	50.10	48.70	47.74	48.60	47.90
50(2")	50	60.63	60.17	63.30	63.10	60.80	59.78	60.60	59.90
65(2-1/2")	65	73.38	72.85	75.30	75.10	76.60	75.68	76.70	75.90
80(3")	80	89.31	88.70	90.40	90.10	89.60	88.55	89.70	88.90
100(4")	100	114.76	114.10	110.40	110.10	114.70	113.60	115.00	113.80

Electric or pneumatic ball valve & butterfly valve.



Clear PVC VALVE

- 1) MATERIAL: CLEAR PVC
- (2) STANDARD: ASTM, JIS
- (3) ALL THE PIPES AND ACCESSORIES ARE CLEAR, MAKING EASIER THE VISUAL MONITORING OF THE INTERNAL STATUS OF THE PIPES AT ANY TIME.
- (4) SMOOTH INTERIOR WALLS ENSURE UNIMPEDED FLOW AND REDUCE SEDIMENT BUILDUPS.
- (5) THE PIPING SYSTEM OFFERS EASY VISUAL MONITORING AND HIGH PROTECTION WHEN USED IN DUAL-CONTAINMENT PIPING APPLICATIONS.
- (6) PIPES CAN BE EASILY JOINED BY THE SOLVENT CEMENTING PROCESS. THIS JOINING PROCESS IS EASY AND QUICK AND CAN ENSURE HIGH JOINT STRENGTH.

