

True Union Ball Valve(NEW DESIGN)

Product advantages:

Pictures

1.The inner body are processed by digital lath to ensure the seal of threaded carrier.

2.Each ball be polished after rough turning and fine turning to ensure its smooth and good performance in seal.

3.The body and hole of stem should be processed by lath to assure the stability of the seal and to increase strength.

4.The tooth of products(size bigger than 2-1/2 inch) are processed and finished by lathes to ensure the union cap and the body be assembled more closely.

5.100% pressure/hydro test before valve be sent out our factory.

6.The valve should be double blocking with union ends, locking of union nuts design ANTI-shocking.

7.Can be assembled with electric or pneumatic actuators.

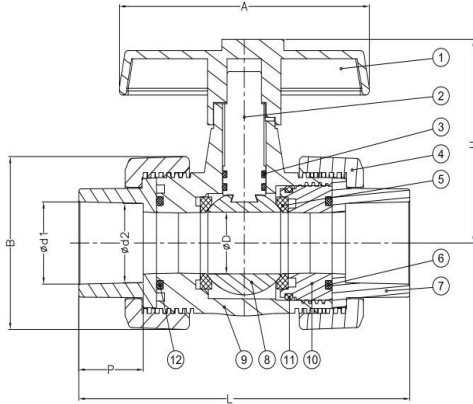


Description:

- 1.Mateial: UPVC、CPVC、PP-H
- 2.Size: 1/2"-4"
- 3.End connector: SOCKET/THREADED
- 4.Standard: ANSI, DIN, JIS, CNS
- 5.Working presure:150 PSI
- 6.Operating Temperature:
UPVC(0-45℃), CPVC& PP-H(0-95℃)
- 7.Color of handle: Red, blue, yellow etc.
- 8.Colr of body: UPVC(dark gray)
CPVC(light gray/yellow)
PP-H(light yellow)

Specifications:

true union ball valve



Item	Parts	Material	PCS
1	Handle	ABS	1
2	Stem	UPVC/CPVC/PPH	1
3	Stem O-ring	EPDM/VITON	2
4	Union Nut	UPVC/CPVC/PPH	2
5	Seat	PTFE	2
6	Seat O-ring	EPDM/VITON	1
7	Connector	UPVC/CPVC/PPH	2
8	Ball	UPVC/CPVC/PPH	1
9	Body	UPVC/CPVC/PPH	1
10	Seat	UPVC/CPVC/PPH	1
11	Seat O-ring	EPDM/VITON	1
12	End O-ring	EPDM/VITON	1
13	Cap	ABS	1

	A	B	L	H	P
15(1/2")	81.5	47.7	115.8	47.5	20.9
20(3/4")	100.6	61.0	129.4	59.7	23.4
25(1")	111.0	69.8	147.2	66.5	28.0
32(1-1/4")	110.3	81.3	167.3	67.4	31.6
40(1-1/2")	125.2	93.0	185.2	86.8	34.5
50(2")	152.7	112.3	195.5	104.5	35.6

	A	B	L	H	P
65(2-1/2")	189.4	150.0	226.3	136.5	43.7
80(3")	230.0	184.0	278.0	165.0	47.5
100(4")	274.0	226.0	324.0	172.0	57.2

SIZE	D	ANSI		DIN		JIS		CNS	
		d1	d2	d1	d2	d1	d2	d1	d2
15(1/2")	15	21.54	21.23	20.30	20.10	22.40	21.73	22.40	21.90
20(3/4")	20	26.87	26.57	25.30	25.10	26.45	25.69	26.40	25.90
25(1")	25	33.65	33.27	32.30	32.10	32.55	31.70	34.50	33.90
32(1-1/4")	32	42.42	42.04	40.30	40.10	38.60	37.65	42.50	41.90
40(1-1/2")	40	48.56	48.11	50.30	50.10	48.70	47.74	48.60	47.90
50(2")	50	60.63	60.17	63.30	63.10	60.80	59.78	60.60	59.90

SIZE	D	ANSI		DIN		JIS		CNS	
		d1	d2	d1	d2	d1	d2	d1	d2
65(2-1/2")	65	73.38	72.85	75.30	75.10	76.60	75.68	76.70	75.90
80(3")	80	89.31	88.70	90.40	90.10	89.60	88.55	89.70	88.90
100(4")	100	114.76	114.10	110.40	110.10	114.70	113.60	115.00	113.80